

BAXI FIRES DIVISION

INSTALLER AND OWNER GUIDE

Model 808 Electric Heater



This guide is intended to help you install and care for your Baxi Fires Division electric heater. Please read carefully before installing and using your heater. However, if further information is required, our **Baxi Fires Division Technical Helpline** will be pleased to help.

Telephone **08706 061 065** (National call rates apply in the United Kingdom)

In the Republic of Ireland call **0044 8706 061 065**

Important: Please keep your guide in a safe place for future reference

INSTALLER AND OWNER GUIDE

Safety First.

Baxi Fires Division heaters are CE Approved and designed to meet the appropriate British Standards and Safety Marks.



Quality and Excellence.

All Baxi Fires Division heaters are manufactured to the highest standards of quality and excellence and are manufactured to ISO 9001.

CUSTOMER CARE

Thank you for choosing Baxi Fires Division

All Baxi Fires Division heaters are designed to meet the most stringent quality, performance and safety requirements to provide our customers with many years of trouble free service. This guide aims to improve your understanding and appreciation of your new Baxi Fires Division heater, by providing simple and informative instructions to enable you to install it and to ensure that you benefit from the excellent performance and features it has to offer.

If you require further assistance, the Baxi Fires Division Technical Helpline will be pleased to help.

Please telephone **08706 061 065** (local rates apply in the United Kingdom). In the Republic of Ireland please telephone **0044 8706 061 065**

B A X I F I R E S D I V I S I O N

FOR OTHER USEFUL TELEPHONE NUMBERS SEE THE LAST SECTION OF THIS GUIDE

Baxi Fires Division, Erdington, Birmingham B24 9QP

www.firesandstoves.co.uk

Because our policy is one of constant development and improvement, details may vary slightly from those given in this publication

INSTALLER AND OWNER GUIDE

HANDLING AND UNPACKING

Before continuing any further with the installation of this heater please read the following:

Important instructions.

- The lifting weight of the heater is as below:

<u>Model</u>	<u>Weight (kg)</u>
Traditional	9kg.
Traditional with spacer	10.5kg.
Contemporary	11kg.
Contemporary with spacer	12.5kg.

- One person should be sufficient to lift the heater. If for any reason this weight is considered too heavy then obtain assistance.
- When lifting always keep your back straight. Bend your legs and not your back.
- Avoid twisting at the waist. It is better to reposition your feet.
- Avoid upper body / top heavy bending. Always bend from the knees rather than the waist. Do not lean forward or sideways whilst handling the heater.
- Always grip with the palm of the hand. Do not use the tips of fingers for support.
- Always keep the heater as close to the body as possible. This will minimise the cantilever action.
- Use gloves to provide additional grip.
- Always use assistance if required.
- Remove the spare bulb from the top polystyrene fitment.

INSTALLER AND OWNER GUIDE

SAFETY

Always

- **Always** install the heater in accordance with this guide. If in doubt obtain expert advice.
- **Always** make sure the electrical socket is accessible and located adjacent to, but not above the heater.
- **Always** disconnect the heater from the electrical supply before carrying out cleaning, maintenance or replacing the light bulbs.
- **Always** make sure the heater is firmly secured to prevent it from being tipped over.
- **Always** use a fireguard when young children and infirm persons can come into contact with the heater.
- **Always** use genuine Baxi Fires Division spares.

Never

- **Never** leave children unsupervised in a room where the heater is ON and unguarded.
- **Never** obstruct or cover the fan outlet or force items into heater openings.
- **Never** install or use the heater anywhere where water is in use, i.e. Bathrooms, Kitchens, Shower Rooms, Swimming Pools etc.
- **Never** use aerosols or steam cleaners on or around the heater.
- **Never** route the mains supply cable under carpet etc.
- **Never** install the heater close to curtains or combustible materials.
- **Never** use the heater to dry clothes etc.
- **Never** sit or stand on the heater.

FITTING THE HEATER

The installation of this heater requires a reasonable level of DIY skills. Please read this guide thoroughly before commencing installation and if in doubt, seek help from a competent person

Do I need any tools?

1. Depending on which style of fascia you have (traditional / contemporary) you will need the below screwdrivers: -

1 off Pozidrive / Phillips / cross head screwdriver. This is required on traditional models. This should have a number 2 size end. If you are unsure about the size of the

INSTALLER AND OWNER GUIDE

end simply make sure that the end fits into the screws that secure the fascia to the heater. If the end is too small then the end will spin and damage the screw.

1 off Flat end screwdriver. This is required on both models. The end should fit into the slot head screws supplied with the heater.

2. For drilling into brickwork you will need an electric drill (preferably with hammer action) and appropriate size drill bit for the wallplugs supplied (See figure 3).

Where can I fit the heater?

This heater can be fitted into fireplaces or surrounds where the following dimensions are available.

Width	390mm - 450 mm (15.35 inches - 17.72 inches)
Height	555mm - 590 mm (21.9 inches - 23.2 inches)
Depth	At least 75mm (At least 3 inches)

There should be at least 30mm (1.2 inches) clearance between the top of the fascia and anything such as a shelf, fireplace surround or mantel etc. This will allow the fascia to be lifted off or removed during servicing. To check this gently place the fascia against the surface to which it is to be fixed. Measure the distance from the top of the fascia.

The heater is of a slim design and should suit most fireplace openings and fire surrounds. However, there may be some applications that require the need for a spacer where a fireplace opening or fireplace surround opening are not available i.e. a flat wall. Some models are not supplied with a spacer frame kit. This optional spacer frame kit is obtainable either from the your heater supplier or direct from Baxi Fires Division Sales. The kit is:

- Models with traditional fascia - 75mm (3 inch) spacer kit (Kit number 05801T1).

Important Electrical Safety

The heater must **not** be located in front of or under an electrical socket, the socket must always be accessible in order to disconnect the heater from the electrical supply for maintenance and cleaning.

Important! This heater must be earthed.

- The heater is supplied with a 3 pin 13 Amp fused re-wireable plug with 1mm² 3 core cable.
- The wires in the cable are coloured in accordance with the following code: -
Live = Brown Neutral = Blue Earth = Green /Yellow
- The mains supply must be safely routed from the heater to an electrical socket.

INSTALLER AND OWNER GUIDE

Moving the Cable Guide

At the base of the heater you will find the electric cable which runs through a rectangular plastic cable guide. The cable guide is fitted into the rectangular slot on the right side of the heater. If required this can be moved and put in the rectangular slot in the centre or left hand side of the heater. For removal and fitting please see below.

Removing the cable guide

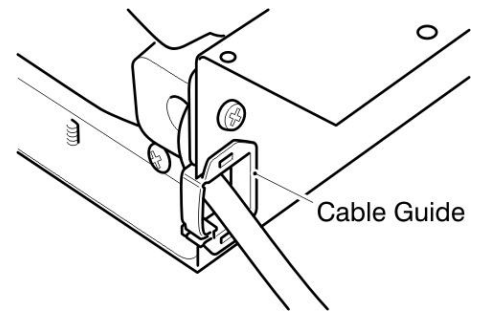
1. Before moving the cable guide please note that the lip of the cable guide is on the outer edge of the base (See figure 1- Item 1).
2. To remove the cable guide push and lift the tab on the bottom of it and the cable guide will open (See figure 1- Item 2).
3. Lift the electric cable clear of the cable guide.
4. Hold the bottom of the cable guide close to the heater then gently pull the cable guide away from the rectangular slot (See figure 1- Item 3).

Fitting the cable guide.

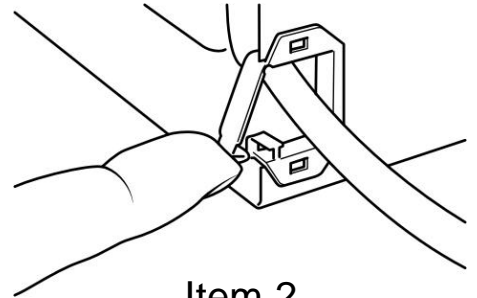
When fitting the cable guide please remember that the lip of the cable guide has to be fitted against the outer face of the base (See figure 1- Item 1).

1. Gently pinch the sides of the cable guide (See figure 1 - Item 4) and push into the desired rectangular slot.
2. Place the electrical cable into the guide and close the top.

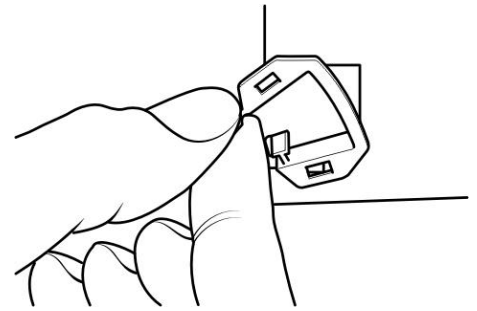
If the mains cable is damaged, to avoid a hazard it must be replaced by a Baxi fires division authorised service agent, or



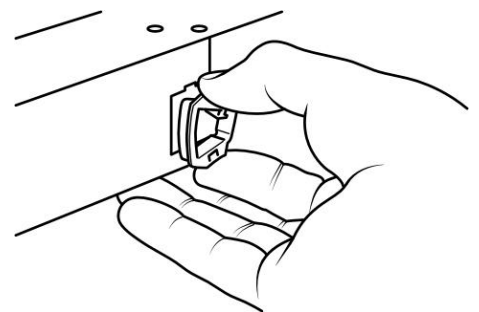
Item 1



Item 2



Item 3



Item 4

Figure 1. Removing and positioning the cable guide.

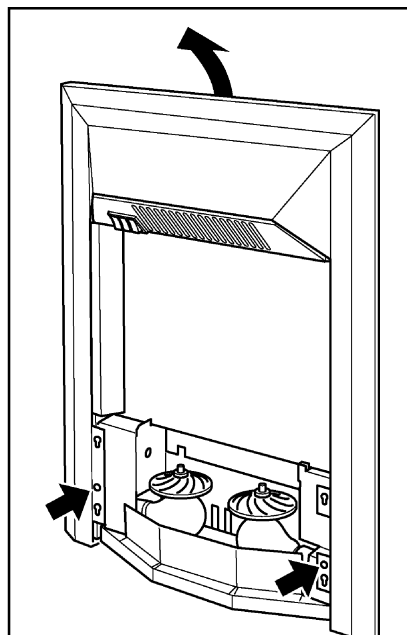


Figure 2. Removing the fascia.

INSTALLER AND OWNER GUIDE

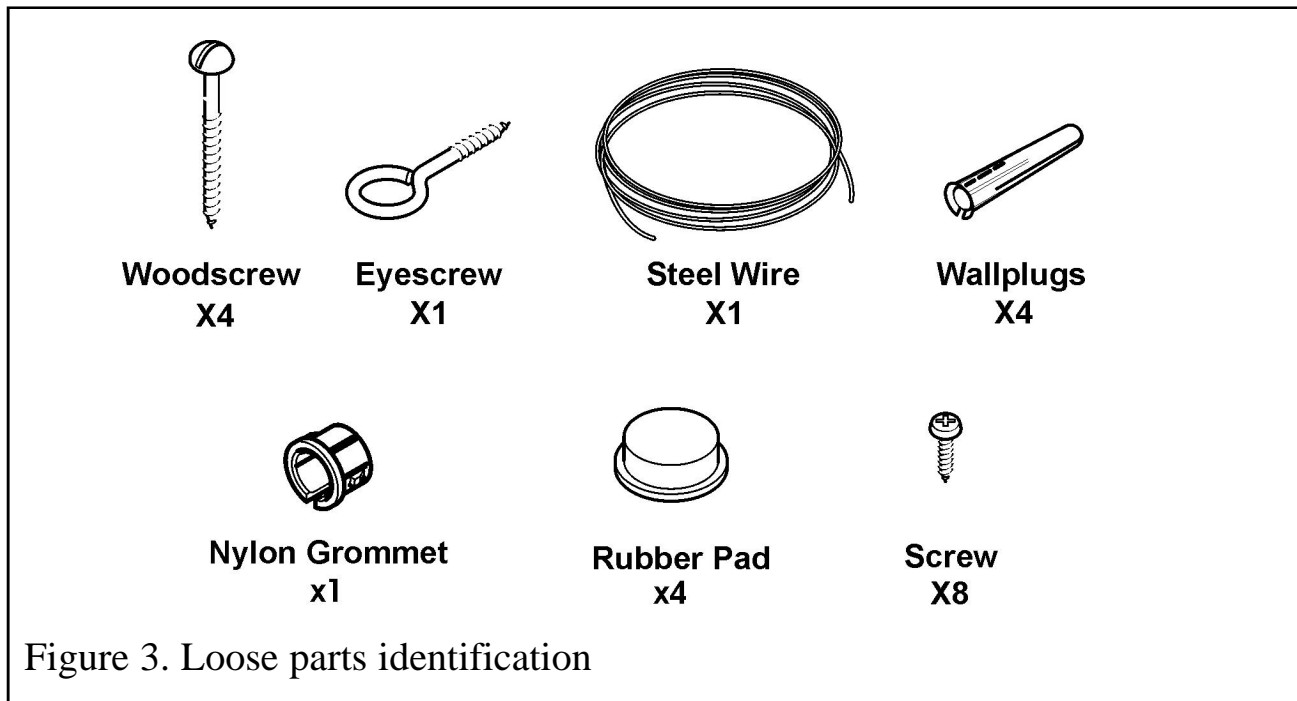
similarly qualified person (See the last page of this guide for useful telephone numbers). All external wiring between the heater and the electrical supply shall comply with current IEE regulations.

Removing the fascia on models fitted with a traditional fascia.

1. Remove the two fascia securing screws (See figure 2). Remove the front fascia by gently pulling the base of the fascia forward whilst lifting clear of the support brackets at the top of the heater (See figure 2).
2. Keep the fascia in a safe place while installing the heater.

Heater Fixing

All of the fixings supplied with the heater have been identified as in figure 3.



The heater must be fixed into position to prevent it from being tipped over

The following fixing options are available:

Screw Fixing

Wire Fixing

Spacer Frame (The spacer frame may not be supplied with the heater - see details in section headed '**Where can I fit the heater?**').

If fitting the heater into a fireplace or surround opening, try the heater in the opening to ensure that it will fit.

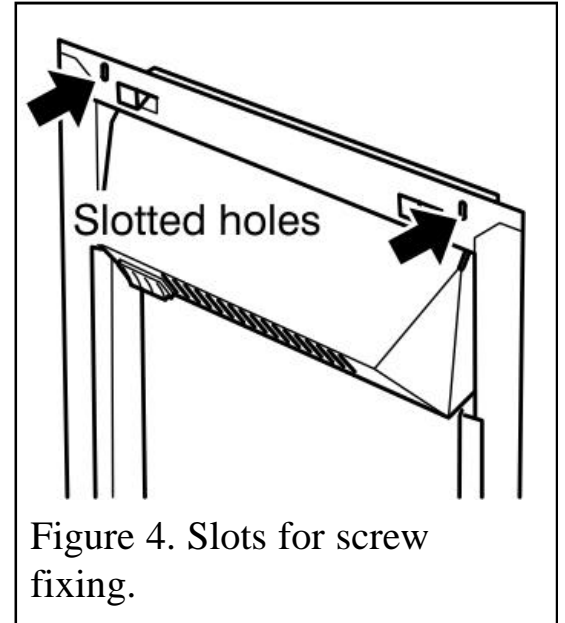
If fitting the heater onto a decorative hearth surface such as marble or tile it is advisable to protect the hearth surface. Do not drag the heater across the surface of the hearth as this may scratch the hearth surface.

INSTALLER AND OWNER GUIDE

Method A - Screw fixing

Note - If fixing to marble it is recommended that Method B - 'Wire fixing' is used. Drilling marble without the correct tools and experience may result in the marble cracking.

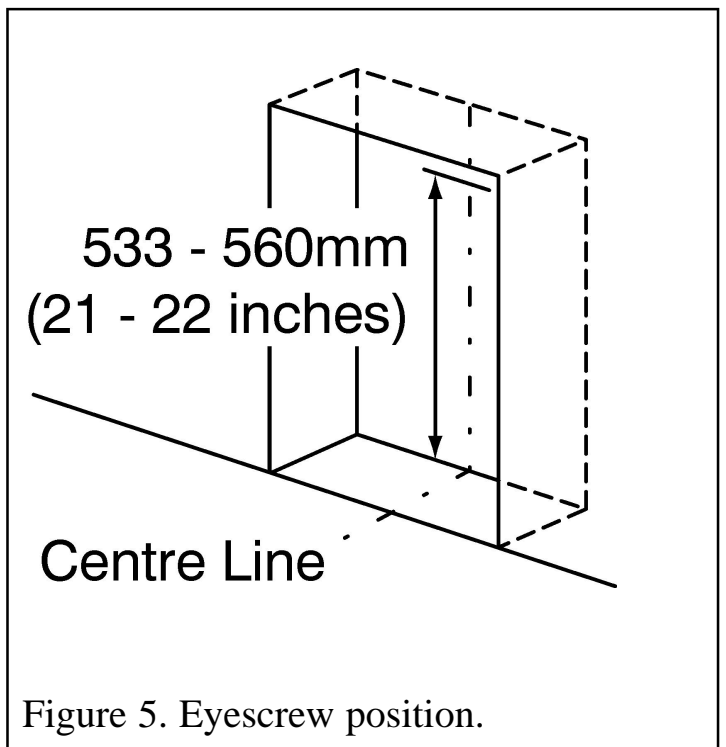
1. Place the heater into the fireplace or surround opening. Make sure that the heater is in the middle of the surround or fireplace.
2. There are two slotted holes in the top of the heater (See figure 4). Mark through the slotted holes so that their position is clear when the heater is removed.
3. Remove the heater
4. Drill an appropriate size hole in each of the marked positions. Insert wall plugs into the drilled holes.
5. Place the heater so that the slotted holes are in line with the wallplugs in the fixing surface.
6. Screw and secure the heater with two woodscrews screws (See figure 3).



Method B - Wire Fix

This method of fixing needs a fireplace opening and is recommended when fixing the heater to a marble surround or where the wall or brickwork is in poor condition.

1. The fixing kit supplied with the heater includes a steel wire and eyescrew (See figure 3). These can be used to secure the heater to the back of a fireplace opening.
2. Mark the eyescrew position on the centre line at the back of the fireplace opening and at a height of 533-560mm (21 inches - 22 inches) (See figure 5).
3. Drill an appropriate size hole in the marked position.
4. Insert a wallplug into the drilled hole.
5. Screw the eyescrew into the wallplug.
6. Position the heater in front of the fireplace opening.
7. At the top of the heater there are four small holes, two each side of the heater (See figure 6- Item 1). From the front of the heater, thread about 50mm (2 inches) of the steel wire into the inside small hole on the left side of the heater (See figure 6 - item 2).



INSTALLER AND OWNER GUIDE

8. Thread the other end of the wire through the remaining small hole on the left hand side of the heater. Continue to push the wire through this hole until there is only a small loop of wire at the front of the heater (See figure 6 - item 3).

9. At the back of the heater there will be a long piece and a short piece of wire coming through the two holes. Hold the short piece and give the long piece a gentle tug. This will secure the steel wire. Take the long piece and thread this through the eyescrew in the back of the fireplace opening (See figure 6 - item 4).

10. From the back of the heater thread the long piece of steel wire through the outer small hole on the right hand side of the heater (See figure 6 - item 5).

11. Locate the heater in the fireplace opening, then from the front of the heater, gently pull the steel wire on the right hand side to gather up the excess until the heater is secure. Thread the wire through the remaining small hole to lock the wire and heater in place (See figure 6 - item 6).

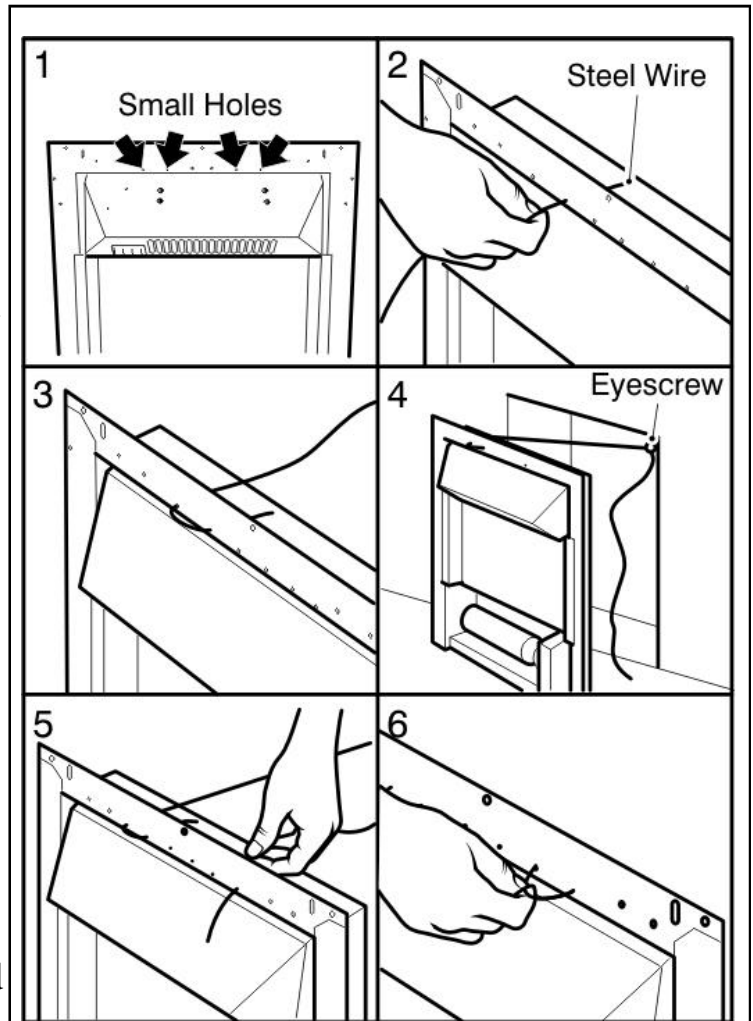


Figure 6. Steel wire fixing (The fuel effect may differ from that shown)

Method C - Spacer Frame

The spacer frame is for use during installations where a chimney recess or rebated fire surround are not available. For your safety the frame and heater must be securely fixed to the rear wall.

1. Fit the four self adhesive rubber pads to the rear of the spacer frame. They should be located on the rear of the vertical legs as in figure 7.

2. Position the spacer frame against the wall. Ensure that the spacer frame is central to the fireplace.

3. The top rear flange of the spacer frame has two screw locations. Mark the positions of the two screw locations on the rear wall (See figure 8).

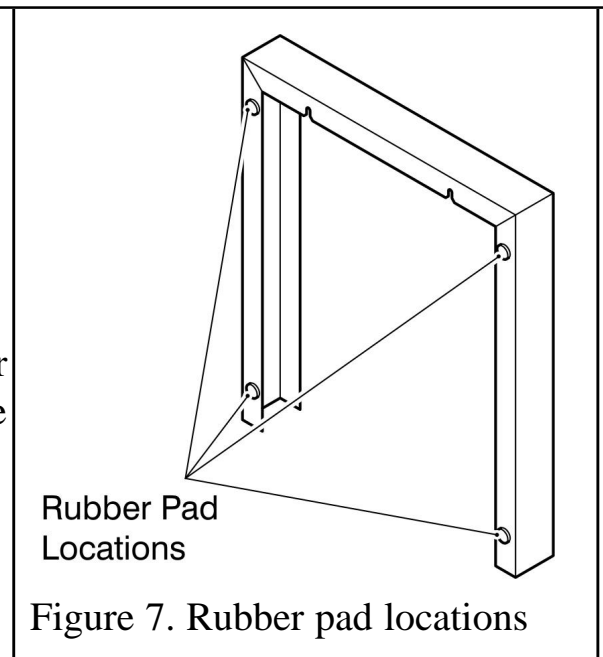
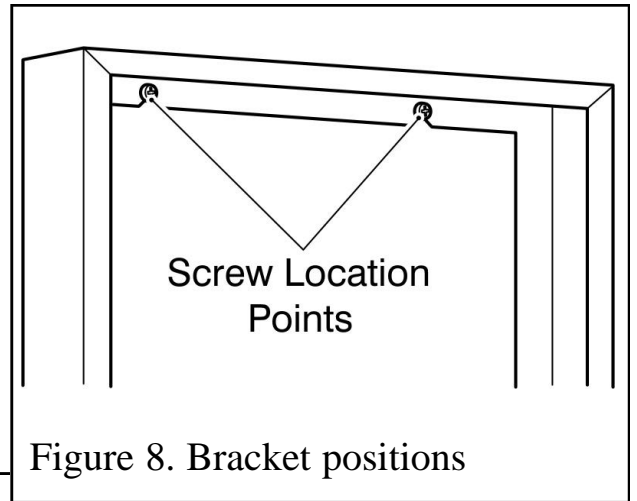


Figure 7. Rubber pad locations

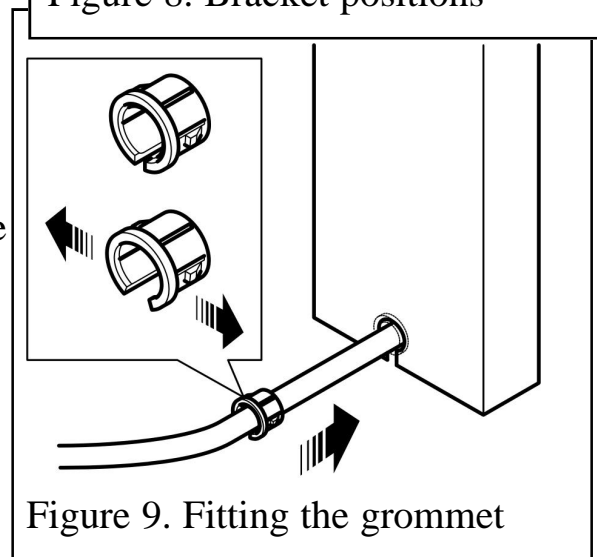
INSTALLER AND OWNER GUIDE

4. Remove the spacer frame from the fireplace and place away from the work area.
5. Drill the screw locations using a no. 12 masonry drill bit.
6. Insert the two wall plugs provided into the holes
7. Insert a screw into each hole and screw in until there is approximately 6mm of screw protruding from the wall.



Preparing the heater for installation.

1. Using the four screws provided, fix the heater to the spacer frame.
2. There is a supply cable slot on both sides of the spacer frame. It is located at the base. Decide which side to pass the supply cable through. The nylon grommet supplied has a slot along its length. Fit the grommet to the mains cable with the flange edge positioned away from the fire (See figure 9).
4. Position the supply cable in the spacer frame slot



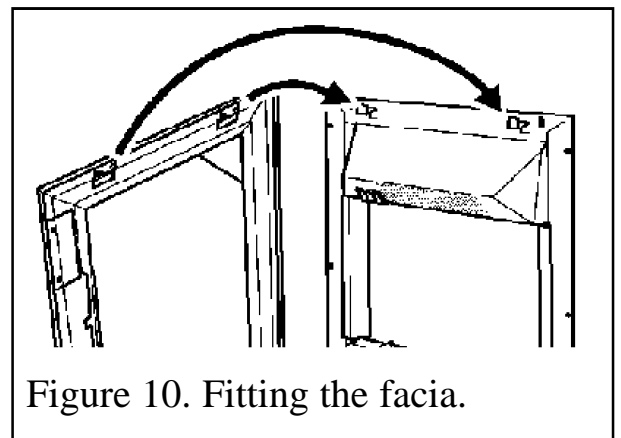
5. Slide the nylon grommet along the supply cable towards the heater. When the grommet reaches the slot, push it into the slot up to its flange (See figure 9).

Fitting the heater.

1. Locate the spacer frame and heater over the screw heads ensuring a tight fit. If the fit is loose, remove the spacer frame and heater from the wall. Tighten the wall screws slightly and reposition the spacer frame and heater.

Fitting the fascia on Traditional models.

1. Hook the brackets on the rear of the main fascia over the brackets on the heater (See figure 10).
2. Secure with the two screws removed previously (See figure 2)
3. Locate the lower firefront casting onto the fascia. The two screws on the rear of the firefront casting locate into the two keyhole slots in the fascia
4. Place the loose coals onto the fuel support (a



INSTALLER AND OWNER GUIDE

glove is provided with the coal pack). It is not necessary to use all the coal supplied. If the coal pieces are too large then a suitable tool can be used to break them.

Important Note:

The coals are for decorative purposes only. There is a choke risk to young children. Make sure they cannot gain access to them.

Fitting the fascia on Contemporary models.

The contemporary fascia consists of three parts. Two sides and a top. These are held in place with six magnets. Fit the firefront assembly before the fascia. To do this align the four holes in the firefront assembly with those on the heater. Secure with the four screws supplied.

1. Lay the three fascia parts face down on a flat surface as in figure 11. Each side trim has a small tab at the top. Position the tab to the outside upper edge (See figure 11).

2. Locate the tabs into the fold on the top edge of the top trim.

3. Locate the six magnets on the side trims as in figure 12. Note that bottom edge of the the upper magnets are in line with the bottom of the top trim.

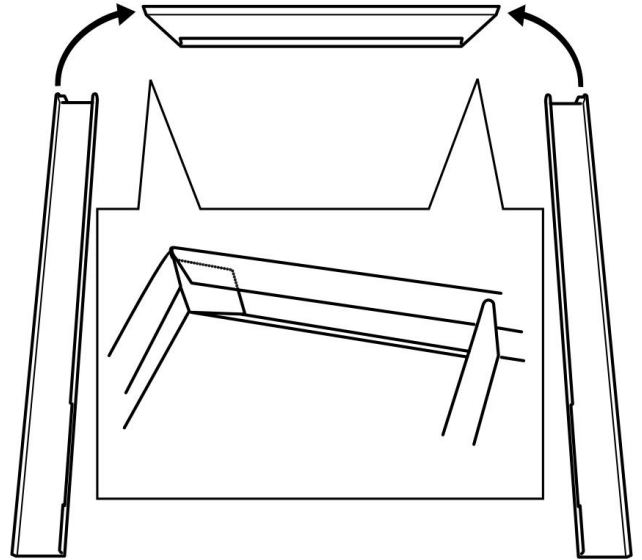


Figure 11.

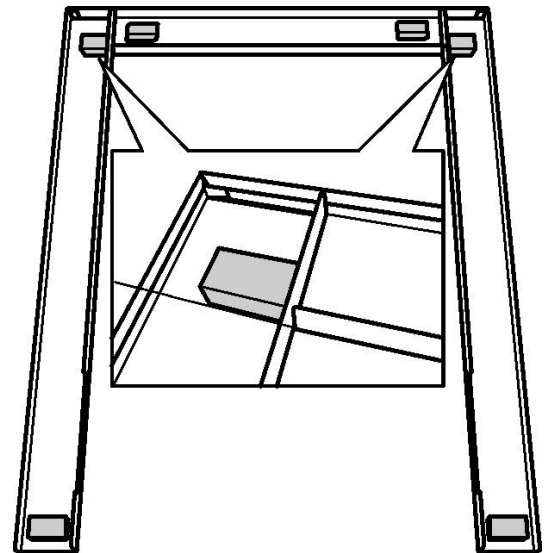


Figure 12.

INSTALLER AND OWNER GUIDE

4. Lift the trims at the top outer edges. This will keep the trims together. Locate the trims to the heater as in figure 13.

5. Place the loose pebbles on top of the fuel support. It is not necessary to use all the pebbles supplied.

Important Note:

The pebbles are for decorative purposes only. There is a choke risk to young children. Make sure they cannot gain access to them.

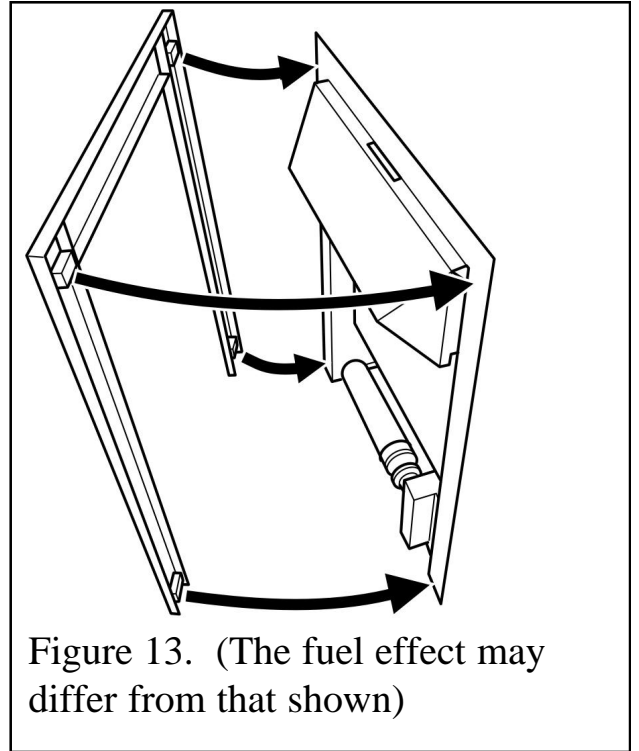


Figure 13. (The fuel effect may differ from that shown)


USING THE HEATER


Important Safety


Never cover the heater or obstruct the openings at the base of the heater, this could cause overheating and consequent risk of fire.

What are the three switches for?

The heater is operated by three switches located below the hood on the left hand side of the heater.

Switch 1 =  Main On - Off. (In the 'ON' position, only the flame effect operates)

Switch 2 =  1kW fan heat setting and flame effect. (Switch 1 needs to be in the 'ON' position to enable switch 2 to operate).

Switch 3 =  2kW fan heat setting and flame effect. (Switch 2 needs to be in the 'ON' position to enable switch 3 to operate).

How do I Clean my heater?

The heater fascia, spacer frame and glass parts need only to be wiped clean with a dry soft cloth, do not use polishes or abrasive materials. Heaters with contemporary fascia may have finger prints on the fascia surface. These can be removed by applying a small amount of 'baby oil' to a lint free non-abrasive cloth and wiping the surface. Use a clean cloth to remove the oil.

I have a problem with my heater!

Important Safety

Before undertaking maintenance or replacing the light bulb(s) always disconnect the heater from the electricity supply by removing the 3 pin plug and allowing the heater to cool.

1. My heater is on but there is no light / low light.

This is possibly a light bulb failure. Remove the light bulb as below and check it in a table lamp that is known to work. If it does not work in the table lamp then replace it as below.

The light bulb fitted to this heater is a 60Watt fireflame (Red) Edison screw type, but due to the indeterminate life span and ease of replacement, it is specifically excluded from the guarantee.

To replace the light bulb(s).

- 1.** To gain access to the light bulb(s), remove the loose coals / pebbles from the fuel support and place them onto an old newspaper or plastic bag. This will prevent them from marking the surface.
- 2.** On Traditional models remove the firefront casting.
- 3.** Remove the fascia in the reverse order to that shown on pages 9-11.
- 4.** On Contemporary models unscrew and remove the firefront assembly.
- 6.** Unscrew the bulb(s) in a clockwise direction.
- 7.** Replace the light bulb with a 60Watt fireflame (Red) Edison screw type bulb.
- 8.** On Contemporary models fit the firefront assembly back into place using the four screws previously removed.
- 9.** Fit the fascia (See pages 9-11).
- 10.** On Traditional models fit the lower firefront casting and ash pan.
- 11.** Place the coals / pebbles back on top of the fuel support.

2. My heater is on but there is no light or heat.

The first thing to do is check the wall socket. To do this plug in a known working appliance. If the appliance you have plugged in works then there is a good chance that

INSTALLER AND OWNER GUIDE

the problem lies with the 13Amp fuse in the heater plug. If either fuse or socket is suspected, have them checked by an electrician.

3. My heater is on but there is no heat.

A cut out device is fitted to the heater to prevent damage due to over heating. If it operates due to an obstruction in the airflow, the heater must be turned off and allowed to cool for 15 minutes and the obstruction removed before restarting.

4. I Have a problem that is different to those in the previous examples 1- 3.

Below is a list of Useful Telephone numbers

For general advice about your heater:

BAXI FIRES DIVISION TECHNICAL HELPLINE 08706 061 065.

To report faults or arrange for your heater to be serviced:

BAXI FIRES DIVISION SERVICE 08706 090 081.

For sales or product information:

BAXI FIRES DIVISION SALES 08706 061 067.

CALLERS IN THE REPUBLIC OF IRELAND

Call **0044 8706 061 065**

For spares inquiries

Spare parts are available nationwide via the ‘interpart stockist network’. For your local stockist consult Yellow pages under ‘Central Heating’.

When ordering spare parts please have the below information available. This will help us to deal with your call quicker and avoid you having to make a second call.

- Your Post Code
- Type of Heater (Electric or gas)
- Model, Name and serial number (This information can be found on a small label attached to the inside lower left of the heater. To see this you will have to remove the lower firefront / casting and ash pan.
- The fault, problem or request.

What should I do when I’m ready to dispose of my heater?

The plug should be removed from the mains cable and the mains cable cut from the heater. These should be disposed of with the heater.

Environmental Protection.



Waste electrical products should not be disposed of with household waste. Please recycle where facilities exist. Check with your local authority or retailer for recycling advice.